

67" ICARUS CAST IRON SLIPPER TUB

Cat. No.
CTS7H67



L: 67"
W: 30"
H: 22" & 29" (from floor to top of tub)

Depth: 13-1/2" to overflow
17" at drain

Overflow hole: 1-1/2" diameter

**The following is recommended for
CTS7H67 tubs:**

- Rim-mounted faucet: part #4601 or 7529
- Straight bath supplies: part #5577
- Leg tub drain: part #5599
- Complete shower unit: Part# 4063

| | |
|------------------|----------|
| Gallon Capacity: | 57 |
| Shipping Weight: | 410 lbs. |
| Empty Weight: | 300 lbs. |
| Filled Weight: | 776 lbs. |

Features:

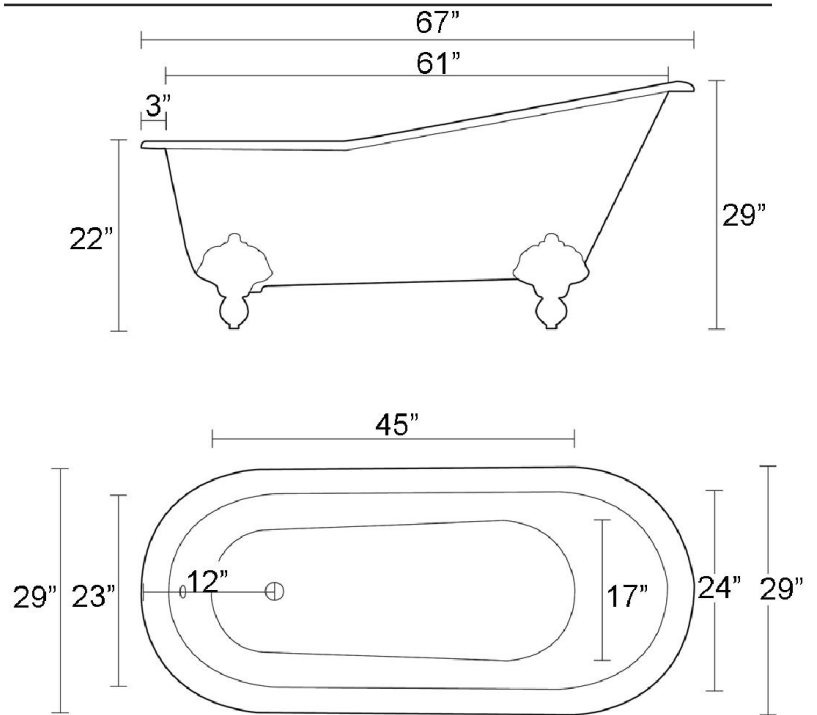
- ▶ Inside finish is white enamel
- ▶ Pre-drilled overflow hole
- ▶ Cast Iron ball and claw feet
- ▶ Tub exterior is white (epoxy)
- ▶ 7" centers in tub deck
- ▶ Feet attached and leveled before shipment
- ▶ Tub is thoroughly inspected before shipment

Foot Finishes:

- BP Polished Brass
- CP Polished Chrome
- PN Polished Nickel
- SN Brushed Nickel
- WH White
- ORB Oil-rubbed Bronze



Custom Colors Available (inside of tub is always white enamel):
Painted bathtubs are considered "special order" and are not returnable
\$160 Bisque or Black \$250 Designer Color



Dimensions and specifications subject to change without notice.

TUB FILLER WITH DIVERTER, HANDSHOWER SHOWERHEAD & RING

Cat. No.

4063



Features:

- ▶ Elephant spout has flow rate of 3.7 GPM
- ▶ Telephone style handshower with cradle and 59" hose
- ▶ Backflow preventor in handshower
- ▶ Sunflower showerhead has flow rate of 2.44 GPM
- ▶ Includes 62" riser and rectangular shower rod
- ▶ 6" Elbow mounts included
- ▶ ¼ Turn ceramic disc cartridges
- ▶ 7" Centers for deck mounting installation on acrylic or cast iron tubs
- ▶ Flow rate for handshower is 2.5 GPM
- ▶ Available with porcelain lever (**4063-PL**) or metal cross (**4063-MC**) handles
- ▶ Includes wall support **4195WS**
- ▶ Can be used with freestanding supplies (**#4502-PL**) or straight bath supplies (**#5577**) depending on application

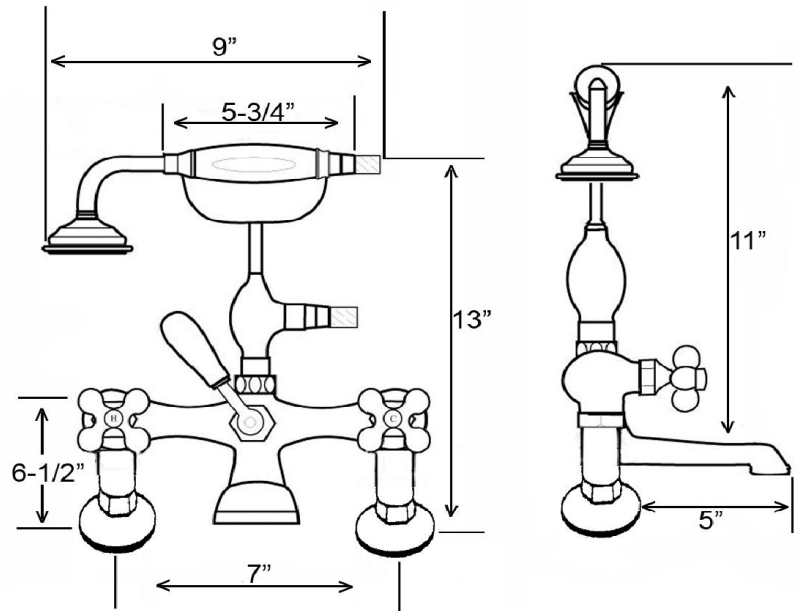
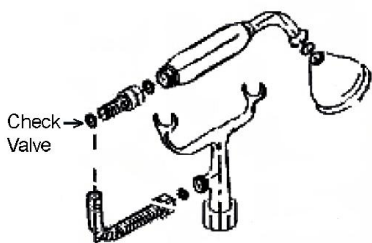
Finishes:

BP Polished Brass
CP Polished Chrome
PN Polished Nickel

SN Brushed Nickel
ORB Oil Rubbed Bronze



Shower Rod: 48"W x 24"D
Wall Support: 10"
Ceiling Support: 30"
Spout Length: 5"



Dimensions are nominal and may vary. Dimensions and specifications subject to change without notice.

STRAIGHT BATH SUPPLIES

Cat.No.

5577



H: 24"

OD: 1/2"

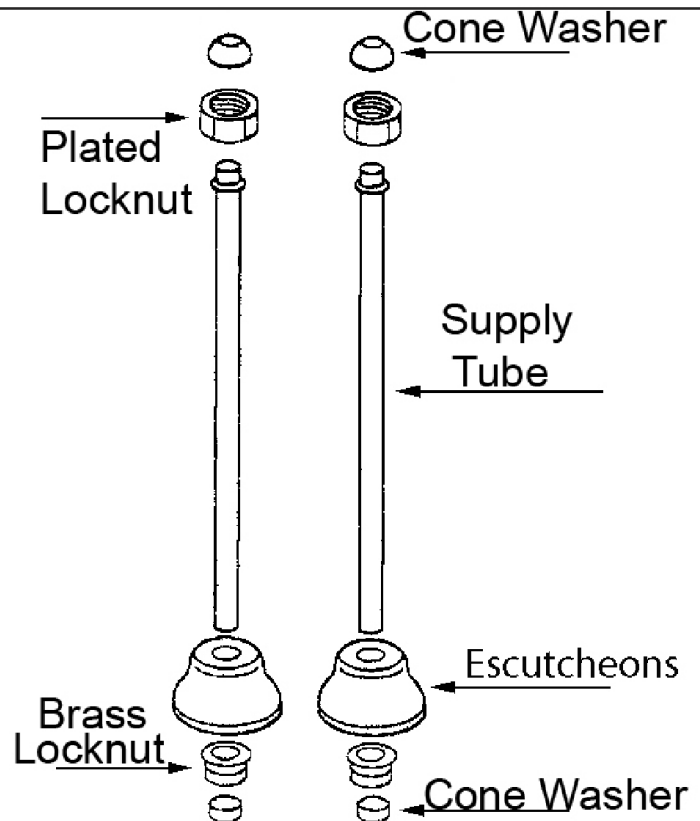
Features:

- ▶ For use with faucets mounted to the tub deck
- ▶ No stops
- ▶ 1/2" Compression inlet
- ▶ 3/4" Compression outlet
- ▶ Bottom flange 2 1/2" diameter
- ▶ 0.500" Outer diameter
- ▶ 0.400" Inner diameter
- ▶ 0.030" Thickness of the wall
- ▶ Available in 5 Finishes

Finishes:

CP Polished Chrome
BP Polished Brass
PN Polished Nickel

SN Brushed Nickel
ORB Oil Rubbed Bronze



Use on concrete floors requires special installation. We recommend using a plumbing professional.

Dimensions and specifications subject to change without notice.

LEG TUB DRAIN

Cat. No.
5599



Escutcheon Height: 1-1/4"

Features:

- ▶ Twist-and-lift stopper
- ▶ Includes deep escutcheon
- ▶ Height adjustable 15"-18"
- ▶ Depth adjustable 12"-14"
- ▶ Includes deep escutcheon
- ▶ Available in 5 Finishes

Finishes:

- CP Polished Chrome
- BP Polished Brass
- SN Brushed Nickel
- PN Polished Nickel
- ORB Oil Rubbed Bronze

#5599 Leg Tub Drain



Dimensions and specifications subject to change without notice.